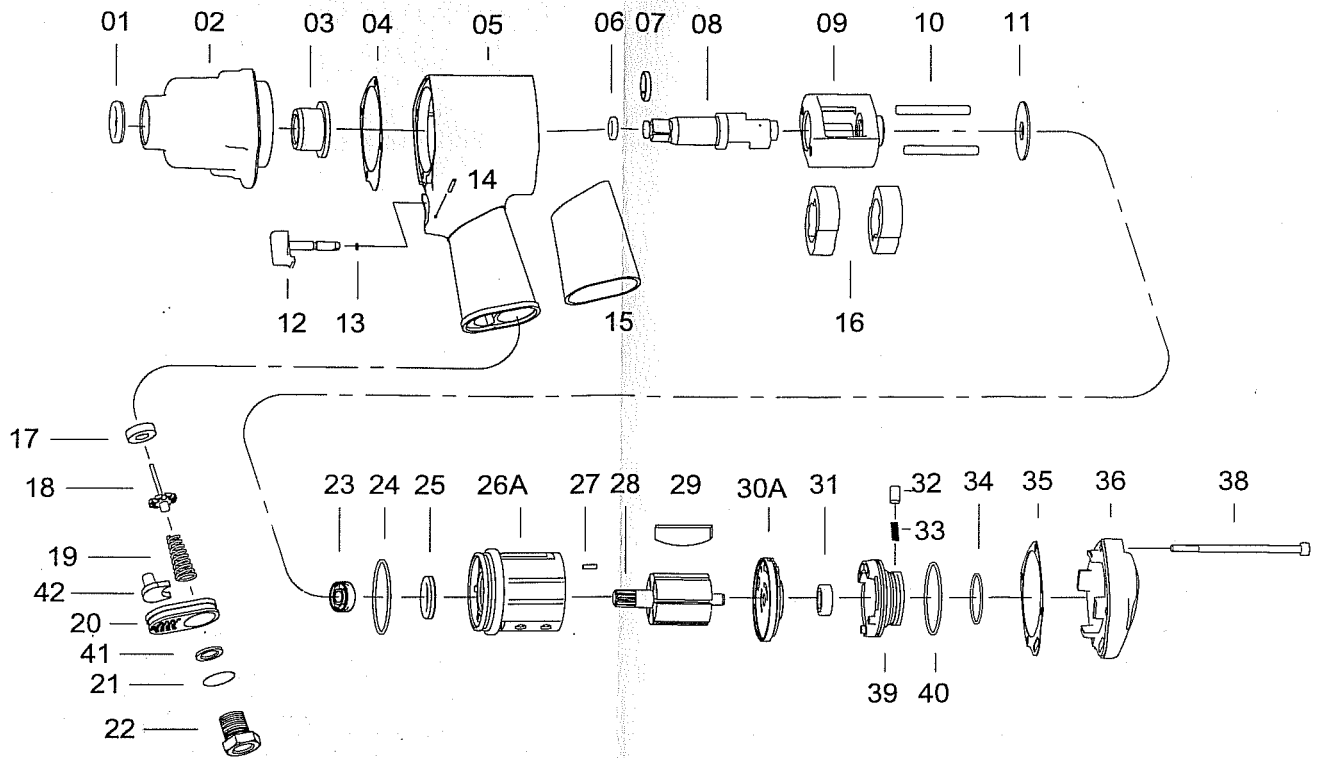


1/2" AIR IMPACT WRENCH (Twin Hammer)



	PARTS NO.	DESCRIPTION	QTY
	1281TA01	Oil Seal	1
	1281TA02	Hammer Case	1
	1281TA03	Bushing	1
●	1281TA04	Front Gasket	1
	1281TA05	Motor Housing	1
●	1281TA06	O-Ring	1
●	1281TA07	Anvil Collar	1
●	1281TA08	Anvil Anvil (2")	1
	1281TA09	Hammer Cage	1
	1281TA10	Hammer Pin	2
	1281TA11	Washer	1
	1281TA12	Trigger	1
	1281TA13	O-Ring	1
	1281TA14	Spring Pin	1
	1281TA15	Rubber	1
	1281TA16	Hammer Dog	2
	1281TA17	Retainer	1
●	1281TA18	Valve Stem	1
●	1281TA19	Spring	1
	1281TA20	Exhaust Deflector	1
	1281TA21	O-Ring	1

	PARTS NO.	DESCRIPTION	QTY
	1281TA22	Hose Adaptor 18NPT	1
		Hose Adaptor 19PT	
		Hose Adaptor 19PF	
●	1281TA23	Ball Bearing	1
	1281TA24	O-Ring	1
	1281TA25	Oil Seal	1
	1281TA26A	Cylinder	1
	1281TA27	Spring Pin	1
	1281TA28	Rotor	1
●	1281TA29	Rotor Blade	6
	1281TA30A	Rear Plate	1
	1281TA31	Ball Bearing	1
	1281TA32	Pin	1
	1281TA33	Spring	1
	1281TA34	O-Ring	1
●	1281TA35	Rear Gasket	1
	1281TA36	Rear Cover	1
	1281TA38	Screw	4
	1281TA39	Reverse Lever	1
	1281TA40	O-Ring	1
	1281TA41	Washer	1
	1281TA42	Muffler	1

The types and specifications may be changed with or without notice.

● Recommend inventory of fast moving parts for maintain service

YU-1281T-081006-

YU-1281T-081216-